

Model: Bellini LCT	Date: 25-Apr-00	No.: MB303001
--------------------	-----------------	---------------

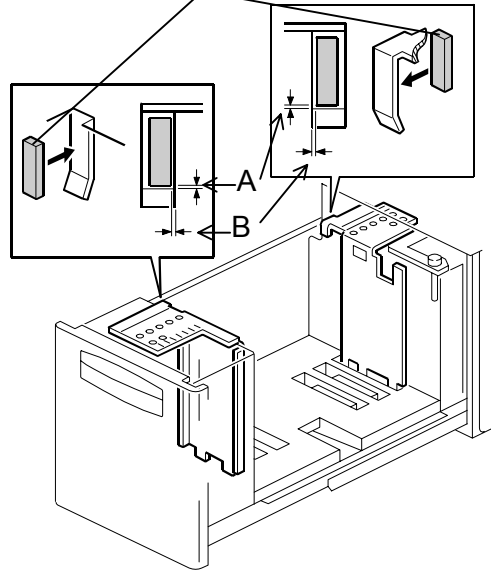
Modified Article: Noise Absorber Seal		Prepared by: H.K.	
From: Technical Services Dept., GTS Division			
Reason for Modification:	<input type="checkbox"/> Parts catalog correction	<input type="checkbox"/> Vendor change	<input type="checkbox"/> To meet standards ()
	<input type="checkbox"/> To facilitate assembly	<input type="checkbox"/> To improve reliability	
	<input type="checkbox"/> Part standardization	<input checked="" type="checkbox"/> Other	

Old part number	New part number	Description	Q'ty	Int	Page	Index	Note
	B3032645	Noise Absorber Seal – 16.5 x 4.2 x 3	0 - 2		13	*20	
			0 - 4		9	*24	

*: New Index

To minimize the feeding noise from the LCT, a noise absorber seal has been stuck on the reverse side of each side fence (three feed trays, front and rear: total 6 pcs).

Noise Absorber Seal



A: 0 ~ 0.5

B: 0 ~ 0.5

MODEL NAME	V/Hz	DESTINATION	JAPAN PRODUCTION	
			CODE	SERIAL NO.
Lanier RT42	240/60	USA, Canada, S. America	B303-14	L0689120001
Savin } Gestetner } RT42 Ricoh }	240/60	USA, Canada, South America	B303-17	H3991200001
Lanier RT42	220,230, 240/50,60	Europe	B303-24	L0689120005
Infotec RT42	220,230 240/50,60	Europe, etc.	B303-26	4B31290001
Gestener } Nashuatec } RT42 Rex Rotary } Ricoh }	220,230, 240/50,60	Europe, etc.	B303-27	H3991200095

Model: Bellini LCT		Date: 29-May-00	No.: MB303002
Modified Article: Felt Wick Spacer & Flange		Prepared by: H.K.	
From: Technical Services Dept., GTS Division			
Reason for Modification:	<input type="checkbox"/> Parts catalog correction	<input type="checkbox"/> Vendor change	<input type="checkbox"/> To meet standards ()
	<input type="checkbox"/> To facilitate assembly	<input type="checkbox"/> To improve reliability	
	<input type="checkbox"/> Part standardization	<input checked="" type="checkbox"/> Other	

Old part number	New part number	Description	Q'ty	Int	Page	Index	Note
	AA160020	Felt Wick Spacer - 6x12x2	0 - 1		27	*24	Diag No.1
07200040E		Retaining Ring - M4	n - n-1		27	104	Diag No.1
	A3544221	Flange - 23	0 - 2		27	*25	Diag No.2
			0 - 1		29	*35	
	07010100B	Flat Washer - 10	0 - 2		27	*107	Diag No.2
			0 - 1		29	*113	

*: New Index

When the LCT was connected to the 105 cpm machine in a laboratory test, noise was generated from the thrust gap between the relay clutch and idle gear because of the higher paper feed speed. To correct this, a felt wick spacer has been added and one retaining ring has been removed. The idler gear (AB013000) is now supported by the stopper plate instead of the removed retaining ring.

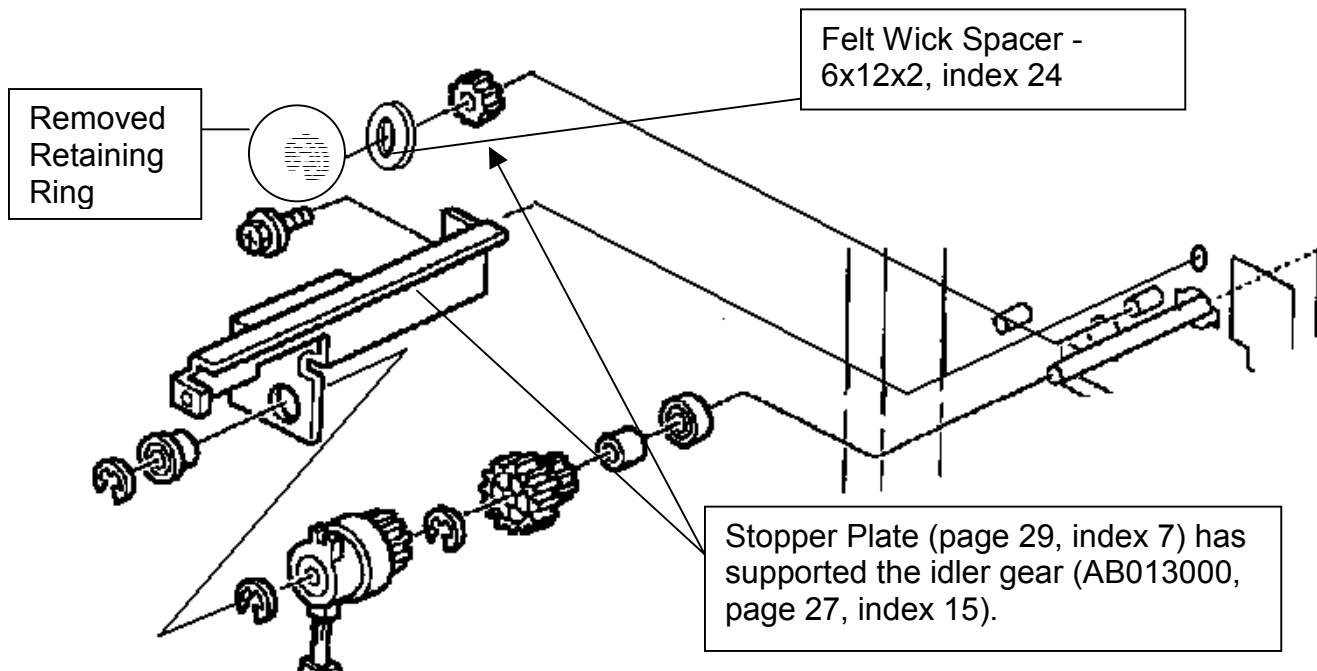


Diagram No.1

Model: Bellini LCT	Date: 29-May-00	No.: MB303002
--------------------	-----------------	---------------

When the LCT was connected to the 105 cpm machine in a laboratory test, the timing belts tended to slip off the idler pulley. To correct this, a flange and a flat washer have been added to each tension bracket (B3031571, page 27, index 14 and page 29, index 15).

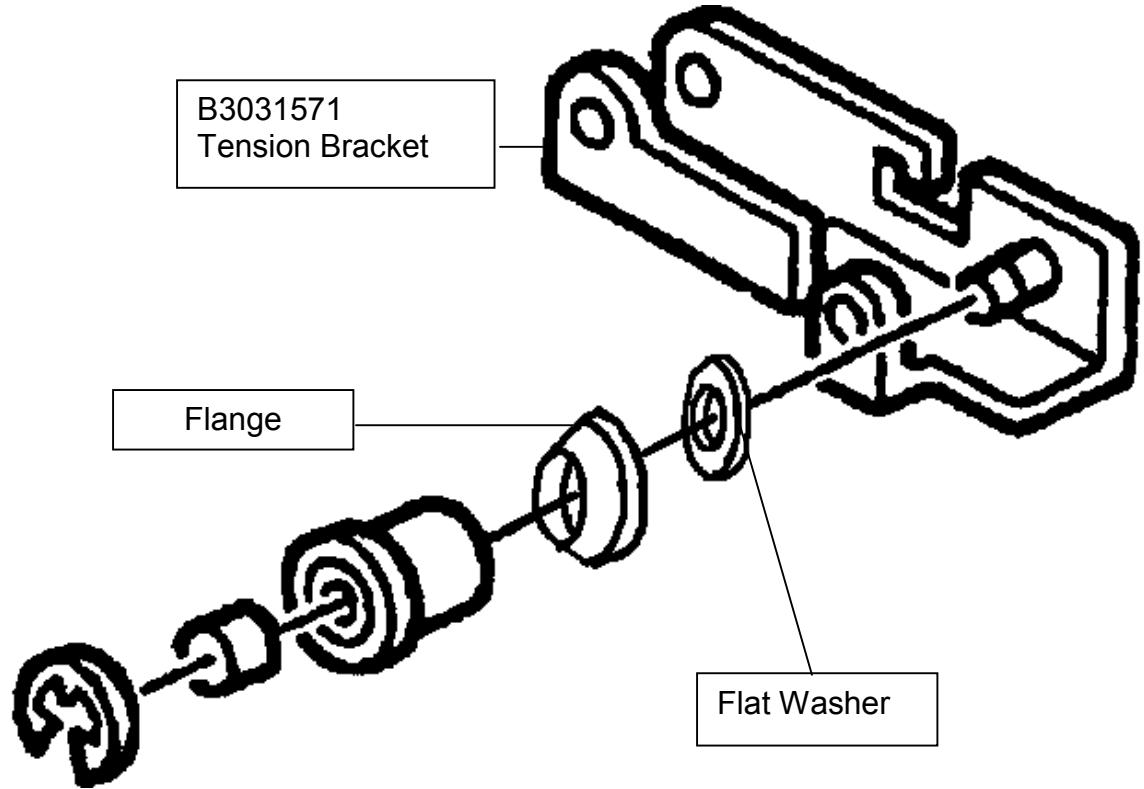


Diagram No.2

RCL (Japan) Production

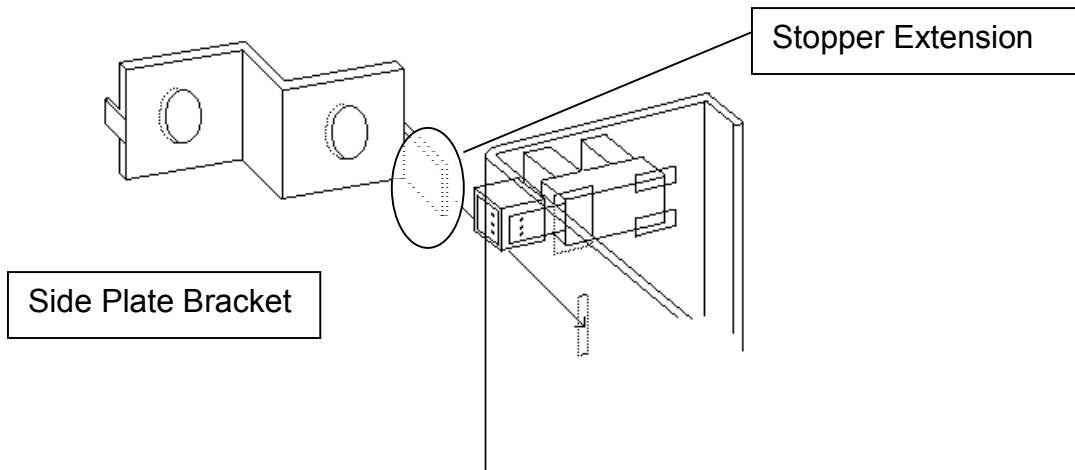
MODEL NAME	V/Hz	DESTINATION	CODE	SERIAL NO.
Lanier RT42	240/60	USA, Canada, S. America	B303-14	L0680030001
Savin } Gestetner } RT42 Ricoh }	240/60	USA, Canada, South America	B303-17	H3900300001
Lanier RT42	220,230, 240/50,60	Europe	B303-24	L0680030010
Infotec RT42	220,230 240/50,60	Europe, etc.	B303-26	4B30300001
Gestener } Nashuatec } RT42 Rex Rotary } Ricoh }	220,230, 240/50,60	Europe etc.	B303-27	H3900300424

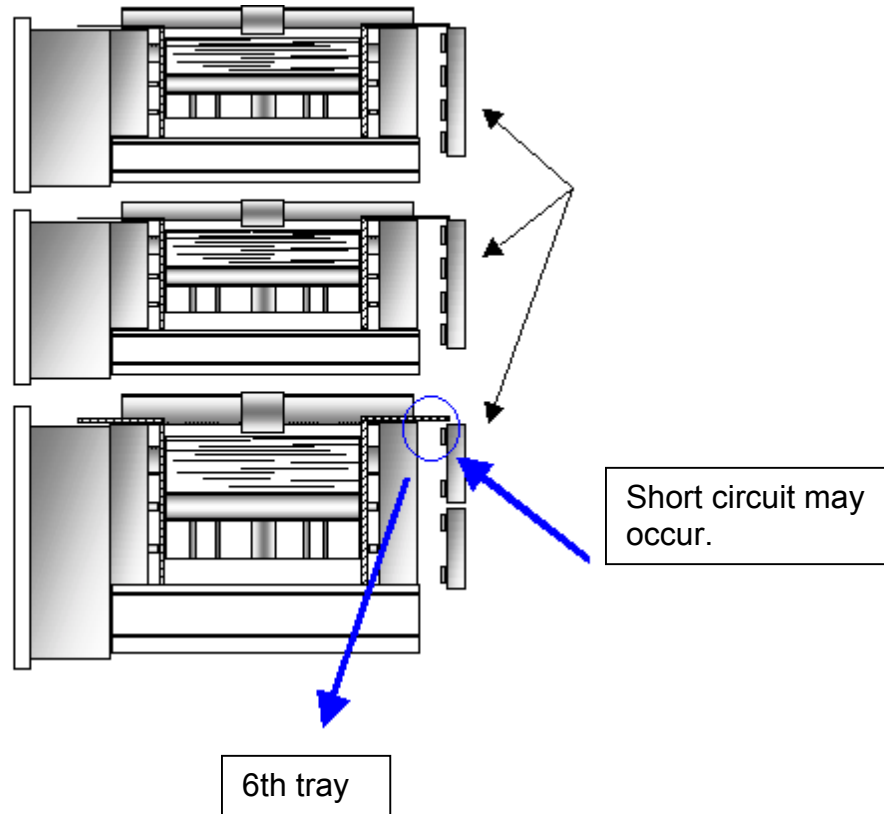
Model: Bellini LCT	Date: 06-Jul-00	No.: MB303003
--------------------	-----------------	---------------

Modified Article: Side Plate Bracket		Prepared by: H.K.	
From: Technical Services Dept., GTS Division			
Reason for Modification:	<input type="checkbox"/> Parts catalog correction	<input type="checkbox"/> Vendor change	<input type="checkbox"/> To meet standards ()
	<input type="checkbox"/> To facilitate assembly	<input checked="" type="checkbox"/> To improve reliability	
	<input type="checkbox"/> Part standardization	<input type="checkbox"/> Other	

Old part number	New part number	Description	Q'ty	Int	Page	Index	Note
B3032724	B3032736	Side Plate Bracket	2	X/O	15	16	

If Tray 6 (2550-sheet tray) with a large amount of paper is forcibly pushed into the LCT main body, the rear LCT side plate may be temporarily bent. This may cause the side plate bracket to touch the paper height sensors, which can sometimes result in a short circuit or damage to the sensors. To correct this, a stopper extension has been added to the side plate bracket. Therefore, even if the above situation occurs, the side plate bracket is stopped by the stopper extension. This will ensure that the bracket does not touch the sensors.





RCL (Japan) Production

MODEL NAME	V/Hz	DESTINATION	CODE	SERIAL NO.
Lanier RT42	240/60	USA, Canada, S. America	B303-14	L0680050001
Savin } Gestetner } RT42 Ricoh }	240/60	USA, Canada, South America	B303-17	H3900400592
Lanier RT42	220,230, 240/50,60	Europe	B303-24	L0680050009
Infotec RT42	220,230 240/50,60	Europe, etc.	B303-26	4B30500001
Gestener } Nashuatec } RT42 Rex Rotary } Ricoh }	220,230, 240/50,60	Europe etc.	B303-27	H3900500556

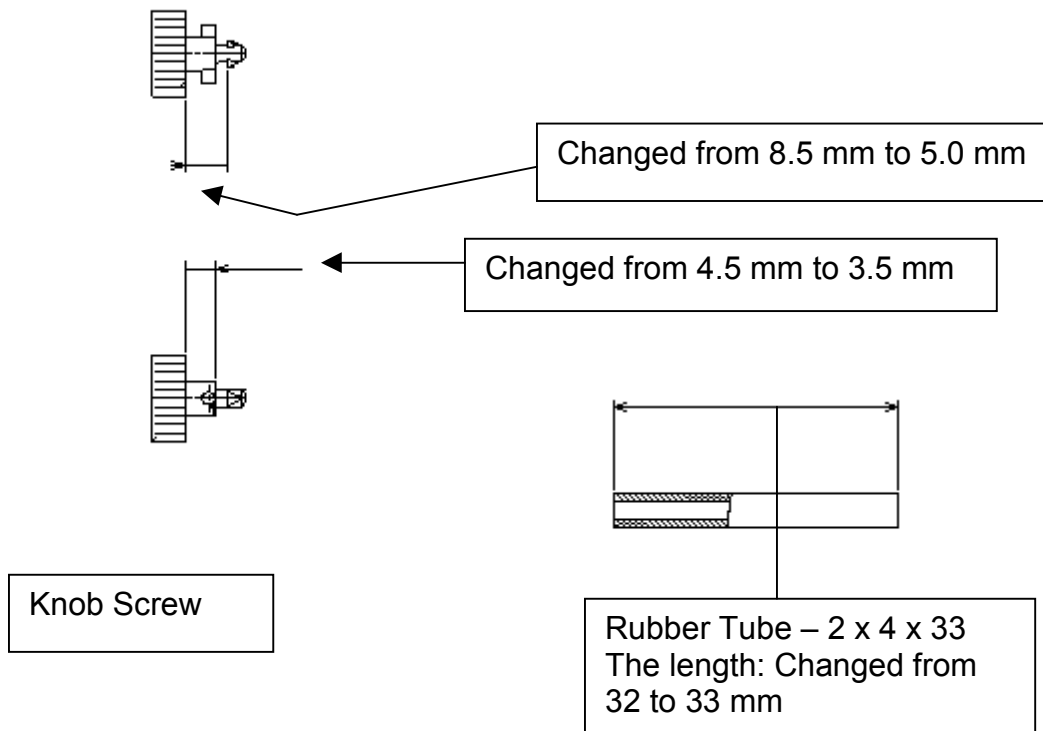
Model: Bellini LCT	Date: 14-Jul-00	No.: MB303004
--------------------	-----------------	---------------

Modified Article: Paper End Fence		Prepared by: H.K.	
From: Technical Service Dept., GTS Division			
Reason for Modification:	<input type="checkbox"/> Parts catalog correction	<input type="checkbox"/> Vendor change	<input type="checkbox"/> To meet standards ()
	<input type="checkbox"/> To facilitate assembly	<input type="checkbox"/> To improve reliability	
	<input type="checkbox"/> Part standardization	<input checked="" type="checkbox"/> Other	

Old part number	New part number	Description	Q'ty	Int	Page	Index	Note
B3032781	B3032786	Paper Guide Fence	2	X/X	9	15	X/O as a set
			1		13	16	
B3032782	B3032787	Knob Screw	2	X/X	9	16	
			1		13	14	
B3032784	B3032788	Rubber Tube - 2x4x33	2	X/X	9	17	
			1		13	15	

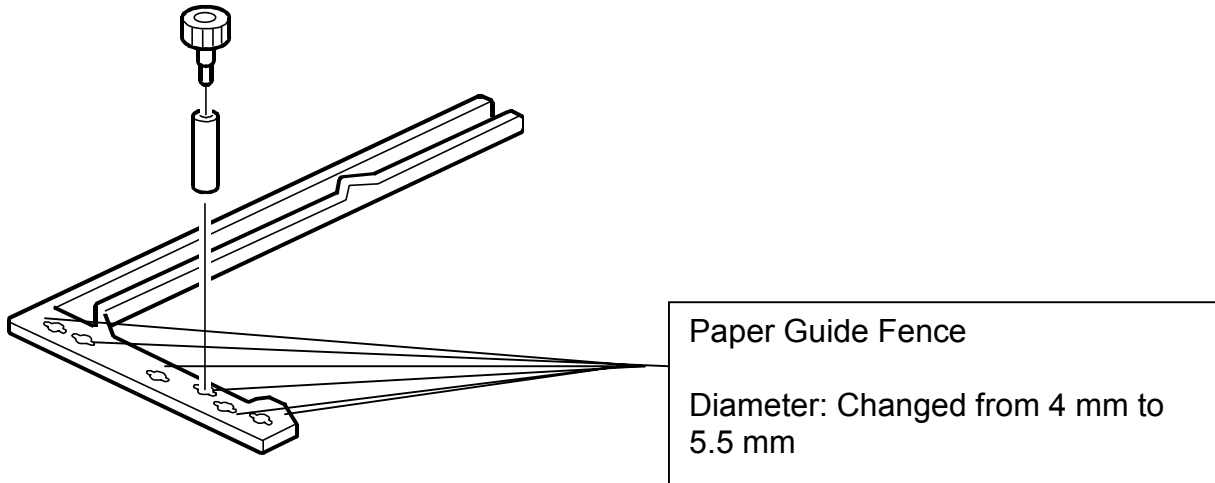
When changing the paper size, operators have to change the position of the end fence (Knob Screw with Rubber Tube). When the operator installs the end fence in the hole in the paper guide fence incorrectly, the top of the end fence is higher than normal. The end fence may tend to be broken by the tray front cover when the tray is pulled out. To improve the durability of the end fence, the production machines have been modified as follows:

1. The knob screw has been made shorter.
2. The rubber tube has been made 1 mm longer.



- The diameter of the holes for inserting the end fence (Knob Screw with Rubber Tube) in the Paper Guide Fence has been changed from 4 mm to 5.5 mm.

Note: When replacing any of the old parts in the field, install all three new parts as a set.



RCL (Japan) Production

MODEL NAME	V/Hz	DESTINATION	CODE	SERIAL NO.
Lanier RT42	240/60	USA, Canada, S. America	B303-14	L0680050001
Savin } RT42 Gestetner } Ricoh }	240/60	USA, Canada, South America	B303-17	H3900400592
Lanier RT42	220,230, 240/50,60	Europe	B303-24	L0680050009
Infotec RT42	220,230 240/50,60	Europe, etc.	B303-26	4B30500001
Gestener } RT42 Nashuatec } Rex Rotary } Ricoh }	220,230, 240/50,60	Europe etc.	B303-27	H3900500556

Model: Bellini LCT		Date: 14-Jul-00	No.: MB303005
Modified Article: Paper Set Direction Decal		Prepared by: H.K.	
From: Technical Services Dept., GTS Division			
Reason for Modification:	<input type="checkbox"/> Parts catalog correction	<input type="checkbox"/> Vendor change	<input type="checkbox"/> To meet standards ()
	<input type="checkbox"/> To facilitate assembly	<input type="checkbox"/> To improve reliability	
	<input type="checkbox"/> Part standardization	<input checked="" type="checkbox"/> Other	

The following decal has been added to the accessories for the LCT. For details, please refer to RTB No.013.

	New part number	Description	Q'ty	Int	Page	Index	Note
	A2941307	Decal - Paper Set Direction	3		37	*18	

*: New Index

RCL (Japan) Production

MODEL NAME	V/Hz	DESTINATION	CODE	SERIAL NO.
Lanier RT42	240/60	USA, Canada, S. America	B303-14	L0680050001
Savin } RT42 Gestetner } Ricoh }	240/60	USA, Canada, South America	B303-17	H3900400592
Lanier RT42	220,230, 240/50,60	Europe	B303-24	L0680050009
Infotec RT42	220,230 240/50,60	Europe, etc.	B303-26	4B30500001
Gestener } RT42 Nashuatec } Rex Rotary } Ricoh }	220,230, 240/50,60	Europe etc.	B303-27	H3900500556

Model: Bellini LCT	Date: 03-Aug-00	No.: MB303006
--------------------	-----------------	---------------

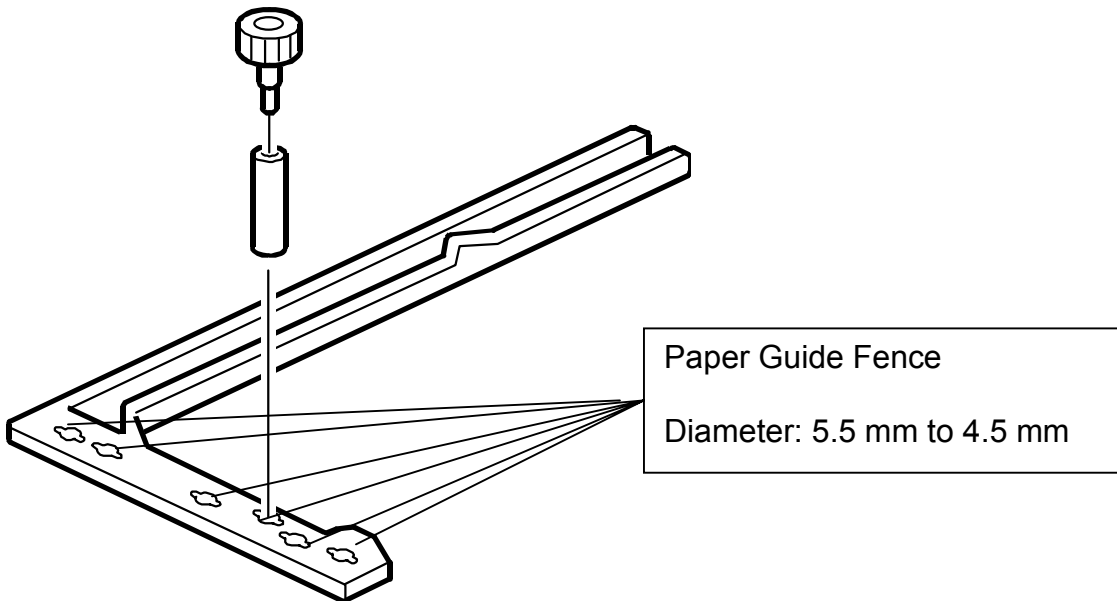
Modified Article: Paper Guide Fence		Prepared by: H.K.	
From: Technical Service Dept., GTS Division			
Reason for Modification:	<input type="checkbox"/> Parts catalog correction	<input type="checkbox"/> Vendor change	<input type="checkbox"/> To meet standards ()
	<input type="checkbox"/> To facilitate assembly	<input type="checkbox"/> To improve reliability	
	<input type="checkbox"/> Part standardization	<input checked="" type="checkbox"/> Other	

Old part number	New part number	Description	Q'ty	Int	Page	Index	Note
B3032786	B3032789	Paper Guide Fence	2	X/O	9	15	
			1		13	16	

The end fence may drop due to vibration during transportation. The diameter of the holes in the paper guide fence for inserting the end fence (Knob Screw with Rubber tube) has been changed from 5.5 mm to 4.5 mm.

The part modification history of the paper guide fence is as follows:

- B3032781 (4 mm diameter)
- ↓: X/X: Refer to MB No.04.
- B3032786 (5.5 mm diameter)
- ↓: X/O
- B3032789 (4.5 mm diameter)



Model: Bellini LCT

Date: 03-Aug-00

No.: MB303006

RCL (Japan) Production

MODEL NAME	V/Hz	DESTINATION	CODE	SERIAL NO.
Lanier RT42	240/60	USA, Canada, S. America	B303-14	L0680070001
Savin } Gestetner } RT42 Ricoh }	240/60	USA, Canada. South America	B303-17	H3900600333
Lanier RT42	220,230, 240/50,60	Europe	B303-24	L0680070011
Infotec RT42	220,230 240/50,60	Europe, etc.	B303-26	4B30700001
Gestener } Nashuatec } RT42 Rex Rotary } Ricoh }	220,230, 240/50,60	Europe etc.	B303-27	H3900700367

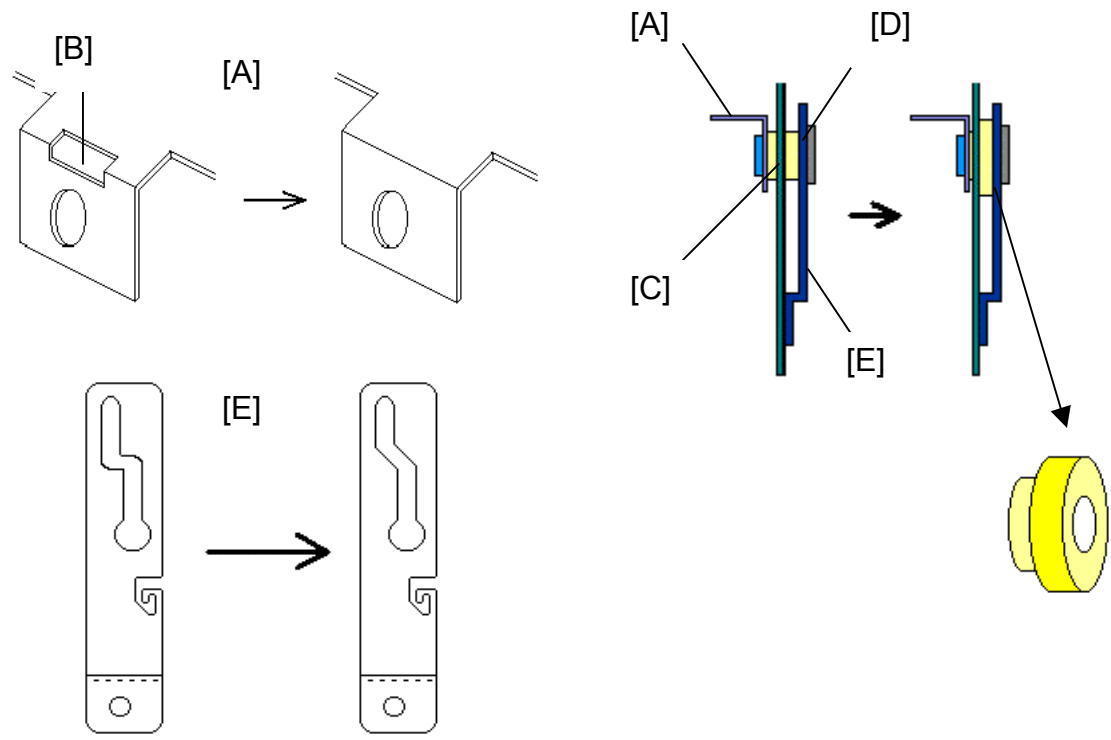
Model: Bellini LCT	Date: 27-Sep-00	No.: MB303007
--------------------	-----------------	---------------

Modified Article: LCT Guide Plate		Prepared by: J. Mochizuki	
From: Technical Services Dept., GTS Division			
Reason for Modification:	<input type="checkbox"/> Parts catalog correction	<input type="checkbox"/> Vendor change	<input type="checkbox"/> To meet standards ()
	<input type="checkbox"/> To facilitate assembly	<input checked="" type="checkbox"/> To improve reliability	
	<input type="checkbox"/> Part standardization	<input type="checkbox"/> Other	

Old part number	New part number	Description	Q'ty	Int	Page	Index	Note
B3033645	B3033646	Guide Plate	1	X/X	25	6	X/O as a set
B3033681	B3033680	Linkage Bracket	1	X/X	27	9	
AA060817	AA060830	Tighten Spring	1	X/X	27	10	
B3033684	B3033685	Link Spacer	1	X/X	27	11	
AA143444	68032273	Stepped Screw	1	X/X	27	8	

To improve the durability of the LCT guide plate open/close mechanism (for U3 jam removal), the following modifications have been applied:

1. The length of the guide plate [A] (B3033645) has been increased by 1 mm to remove the play between the guide plate and the frame. Also, cutout [B] has been removed to strengthen the plate.
2. Collar [C] and stepped screw [D] have been changed to remove the space between the frame and the linkage bracket [E].
3. The shape of the linkage bracket [E] has been changed to ensure smoother movement of the guide plate. Along with this modification, the tension of the tighten spring (AA060830) has been increased.



Model: Bellini LCT

Date: 27-Sep-00

No.: MB303007

RCL (Japan) Production

MODEL NAME	V/Hz	DESTINATION	CODE	SERIAL NO.
Lanier RT42	240/60	USA, Canada, S. America	B303-14	L0680080001
Savin } Gestetner } RT42 Ricoh }	240/60	USA, Canada. South America	B303-17	H3900700001
Lanier RT42	220,230, 240/50,60	Europe	B303-24	L0680080029
Infotec RT42	220,230 240/50,60	Europe, etc.	B303-26	4B30800001
Gestener } Nashuatec } RT42 Rex Rotary } Ricoh }	220,230, 240/50,60	Europe etc.	B303-27	H3900800146

Model: Bellini LCT		Date: 26-Dec-00	No.: MB303008
Modified Article: Paper Size Actuator		Prepared by: M. Matsuda	
From: Technical Services Dept., GTS Division			
Reason for Modification:	<input type="checkbox"/> Parts catalog correction <input checked="" type="checkbox"/> To facilitate assembly <input type="checkbox"/> Part standardization	<input type="checkbox"/> Vendor change <input checked="" type="checkbox"/> To improve reliability <input type="checkbox"/> Other	<input type="checkbox"/> To meet standards ()

Old part number	New part number	Description	Q'ty	Int	Page	Index	Note
B3032887	B3032897	Paper Size Actuator	1	X/X	9	10	*1
B3032889	B3032898	Spring Plate	1	X/X	9	11	*1

Note: *1 These parts should be replaced together as a set.

To improve the ease of use of the paper size detection unit, the shapes of the actuator (slider) and spring plate have been changed.

RCL (Japan) Production

MODEL NAME	V/Hz	DESTINATION	CODE	SERIAL NO.
Lanier RT42	240/60	USA, Canada, S. America	B303-14	L0680100001
Savin RT42 Gestetner RT42 Ricoh RT42	240/60	USA, Canada, South America	B303-17	H3900900175
Lanier RT42	220,230, 240/50,60	Europe	B303-24	L0680100011
Infotec RT42	220,230 240/50,60	Europe, etc.	B303-26	4B31000001
Gestener RT42 Nashuatec RT42 Rex Rotary RT42 Ricoh RT42	220,230, 240/50,60	Europe etc.	B303-27	H3901000426

Model: Bellini LCT		Date: 26-Dec-00	No.: MB303009
Modified Article: Transport Guide Plate		Prepared by: M. Tatsuda	
From: Technical Services Dept., GTS Division			
Reason for Modification:	<input type="checkbox"/> Parts catalog correction <input type="checkbox"/> To facilitate assembly <input type="checkbox"/> Part standardization	<input type="checkbox"/> Vendor change <input checked="" type="checkbox"/> To improve reliability <input type="checkbox"/> Other	<input type="checkbox"/> To meet standards ()

Old part number	New part number	Description	Q'ty	Int	Page	Index	Note
B3033635		Guide Plate	1	X/O	23	14	*2
	B3033686	Guide Plate : Lower : Open and Close : AS					
B3033698	B3033699	Guide Plate : Middle Upper : Entrance	1	X/O	23	1	-
	B3033637	Lever	1	-	23	24 *1	*2
	08025282	Tapping Screw – M4x8	1	-	23	105 *1	*2

Note: *1 New Index
 *2 These parts should be replaced as a set.

Sometimes, slack develops in the B3033698 guide plate, which can then contact the transport roller and wear down its surface. To ensure that this does not occur, the following changes have been made:

1. The shape of the B3033698 guide plate has been changed.
2. The shape of the B3033635 guide plate has also been changed. In addition, the lever which was previously part of this plate has been attached as an individual part, strengthening this area. A tapping screw has been added for attachin the part.

RCL (Japan) Production

MODEL NAME	V/Hz	DESTINATION	CODE	SERIAL NO.
Lanier RT42	240/60	USA, Canada, S. America	B303-14	L0680110001
Savin RT42 Gestetner RT42 Ricoh RT42	240/60	USA, Canada. South America	B303-17	H3901000122
Lanier RT42	220,230, 240/50,60	Europe	B303-24	L0680110016
Infotec RT42	220,230 240/50,60	Europe, etc.	B303-26	4B31100001
Gestener RT42 Nashuatec RT42 Rex Rotary RT42 Ricoh RT42	220,230, 240/50,60	Europe etc.	B303-27	H3901100477

Reissued: 07-Aug-01

Model: Bellini LCT	Date: 22-Dec-00	No.: MB303010a
--------------------	-----------------	----------------

MB Correction

The items in bold italics have been corrected or added.

Modified Article: Tension Bracket		Prepared by: M. Matsuda	
From: Technical Services Dept., GTS Division			
Reason for Modification:	<input type="checkbox"/> Parts catalog correction	<input type="checkbox"/> Vendor change	<input type="checkbox"/> To meet standards ()
	<input type="checkbox"/> To facilitate assembly	<input checked="" type="checkbox"/> To improve reliability	
	<input type="checkbox"/> Part standardization	<input type="checkbox"/> Other	

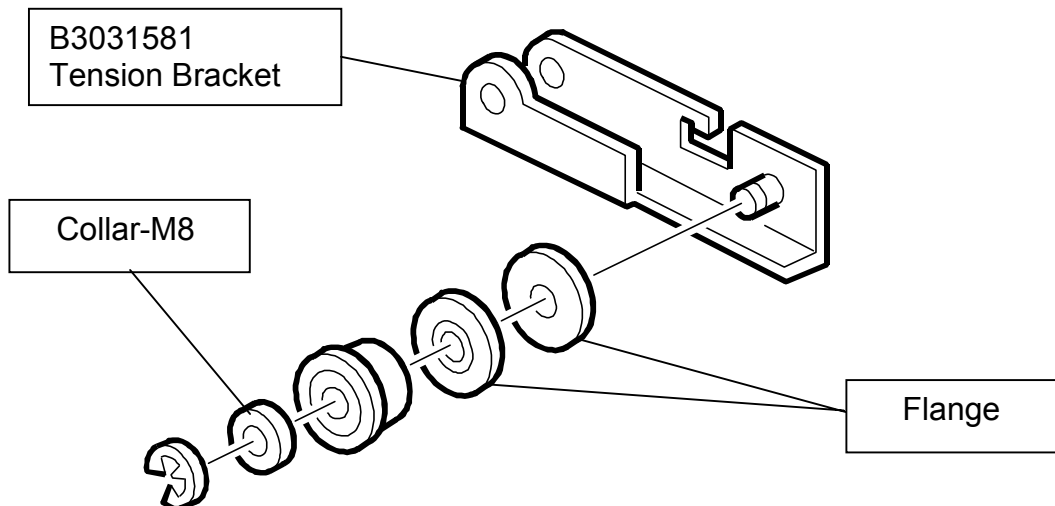
Old part number	New part number	Description	Q'ty	Int	Page	Index	Note
07010100B		Flat Washer – 10	2-0 1-0	-	27 29	107 113	*1
	A3544221	Flange - 23	2-4 1-2	-	27 29	25 35	*1
B3031571	B3031581	Tension Bracket	2 1	X/O	27 29	14 15	*1
07078040B		Bushing - 8X4MM	2-0 1-0	-	27 29	106 112	*1
	B3031535	Collar – M8	2 1	-	27 29	*108 *114	*1

*New Index

The tension bracket can sometimes contact the flat washer when the LCT is used, generating noise. To correct this:

1. The flat washer has been changed to a flange, so that two flanges are now used.
2. The bushing has been changed to a collar.
3. The shape of the tension bracket has been modified.

*1: These parts should be replaced as a set.



Reissued: 07-Aug-01

Model: Bellini LCT	Date: 22-Dec-00	No.: MB303010a
--------------------	-----------------	----------------

RCL (Japan) Production

MODEL NAME	V/Hz	DESTINATION	CODE	SERIAL NO.
Lanier RT42	240/60	USA, Canada, S. America	B303-14	L0680110001
Savin RT42 Gestetner RT42 Ricoh RT42	240/60	USA, Canada. South America	B303-17	H3901000135
Lanier RT42	220,230, 240/50,60	Europe	B303-24	L0680110016
Infotec RT42	220,230 240/50,60	Europe, etc.	B303-26	4B31100001
Gestener RT42 Nashuatec RT42 Rex Rotary RT42 Ricoh RT42	220,230, 240/50,60	Europe etc.	B303-27	H3901100477

Model: Bellini LCT		Date: 11-Jan-01	No.: MB303011
Modified Article: Guide Plates		Prepared by: M. Matsuda	
From: Technical Services Dept., GTS Division			
Reason for Modification:	<input type="checkbox"/> Parts catalog correction <input type="checkbox"/> To facilitate assembly <input type="checkbox"/> Part standardization	<input type="checkbox"/> Vendor change <input checked="" type="checkbox"/> To improve reliability <input type="checkbox"/> Other	<input type="checkbox"/> To meet standards ()

Old part number	New part number	Description	Q'ty	Int	Page	Index	Note
B303 2583	B303 2530	Feed Guide Plate	1	X/O	17	1	
B303 2585	B303 2535	Reverse Guide Plate	1	X/O	19	1	
B303 3615	B303 3691	Guide Plate	1	X/O	21	1	
B303 3610	B303 3690	Guide Plate	1	X/O	21	7	
B303 3640	B303 3698	Guide Plate	1	X/O	23	1	
B303 3630	B303 3696	Guide Plate	1	X/O	23	10	
B303 3620	B303 3693	Guide Plate	1	X/O	25	9	
B303 3625	B303 3694	Guide Plate	1	X/O	25	10	

To strengthen the machine, the screw holes of the guide plates have been modified.

RCL (Japan) Production

MODEL NAME	V/Hz	DESTINATION	CODE	SERIAL NO.
Lanier RT42	240/60	USA, Canada, S. America	B303-14	L0680100001
Savin RT42 Gestetner RT42 Ricoh RT42	240/60	USA, Canada, South America	B303-17	H3900900079
Lanier RT42	220,230, 240/50,60	Europe	B303-24	L0680100011
Infotec RT42	220,230 240/50,60	Europe, etc.	B303-26	4B31000001
Gestener RT42 Nashuatec RT42 Rex Rotary RT42 Ricoh RT42	220,230, 240/50,60	Europe etc.	B303-27	H3901000426

Model: Bellini LCT		Date: 07-Feb-01	No.: MB303012
Modified Article: Support Stay		Prepared by: M. Matsuda	
From: Technical Services Dept., GTS Division			
Reason for Modification:	<input type="checkbox"/> Parts catalog correction <input type="checkbox"/> To facilitate assembly <input type="checkbox"/> Part standardization	<input type="checkbox"/> Vendor change <input checked="" type="checkbox"/> To improve reliability <input type="checkbox"/> Other	<input type="checkbox"/> To meet standards ()

Old part number	New part number	Description	Q'ty	Int	Page	Index	Note
B303 3650	B303 3750	Support Stay	1	X/O	21	5	
B303 3660	B303 3760	Support Stay	1	X/O	23	21	
B303 3815	B303 3825	Front Side Plate	1	X/O	25	11	
B303 3820	B303 3850	Rear Side Plate	1	X/O	25	13	

The support stay and plates may be deformed when the misfeed removal knob is operated to remove a paper jam.
 To ensure that this does not occur, the shapes of the support stay and the front and rear side plates have been changed to increase their strength.

RCL (Japan) Production

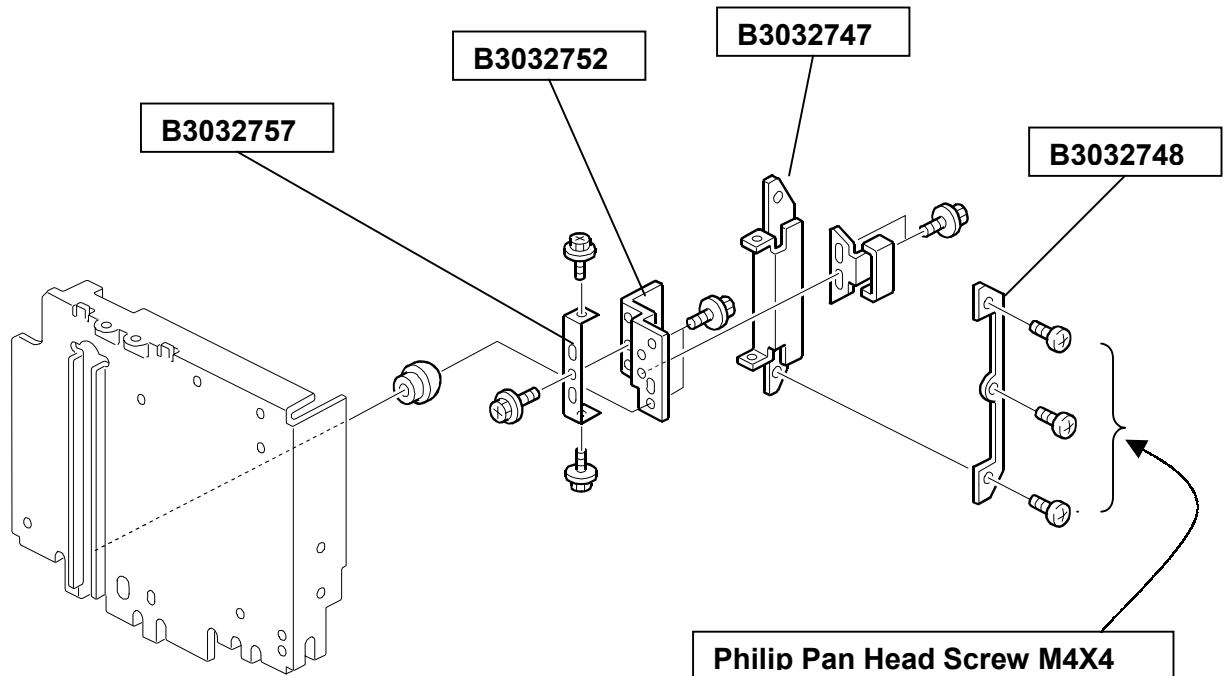
MODEL NAME	V/Hz	DESTINATION	CODE	SERIAL NO.
Lanier RT42	240/60	USA, Canada, S. America	B303-14	L0680110001
Savin RT42 Gestetner RT42 Ricoh RT42	240/60	USA, Canada, South America	B303-17	H3901000157
Lanier RT42	220,230, 240/50,60	Europe	B303-24	L0680110016
Infotec RT42	220,230 240/50,60	Europe, etc.	B303-26	4B31100001
Gestener RT42 Nashuatec RT42 Rex Rotary RT42 Ricoh RT42	220,230, 240/50,60	Europe etc.	B303-27	H3901100477

Model: Bellini LCT		Date: 13-Feb-01	No.: MB303013
Modified Article: Paper Actuator		Prepared by: M. Matsuda	
From: Technical Services Dept., GTS Division			
Reason for Modification:	<input type="checkbox"/> Parts catalog correction	<input type="checkbox"/> Vendor change	To meet standards ()
	<input type="checkbox"/> To facilitate assembly	<input type="checkbox"/> To improve reliability	
	<input type="checkbox"/> Part standardization	<input checked="" type="checkbox"/> Other	

Old part number	New part number	Description	Q'ty	Int	Page	Index	Note
B3032743	B3032752	Bracket	1 1	X/X	11 15	14 18	1
B3032744	B3032747	Paper Actuator	1 1	X/X	11 15	15 19	1
B3032745	B3032757	Spring Plate	1 1	X/X	11 15	13 17	1
	B3032748	Actuator cover	0-1 0-1	-	11 15	#20 #26	1
	03140040B	Philips Pan Head Screw M4X4	0-3 0-3	-	11 15	#107 #109	1

#20,#26,#107,#108: New Index
1: These parts should be replaced as a set.

To prevent the spring plate from being broken, an actuator cover (B3032748) has been added to the paper actuator (B3032747).



Model: Bellini LCT

Date: 13-Feb-01

No.: MB303013

RCL (Japan) Production

MODEL NAME	V/Hz	DESTINATION	CODE	SERIAL NO.
Lanier RT42	240/60	USA, Canada, S. America	B303-14	L0680100001
Savin RT42 Gestetner RT42 Ricoh RT42	240/60	USA, Canada. South America	B303-17	H3900900176
Lanier RT42	220,230, 240/50,60	Europe	B303-24	L0680100011
Infotec RT42	220,230 240/50,60	Europe, etc.	B303-26	4B31000001
Gestener RT42 Nashuatec RT42 Rex Rotary RT42 Ricoh RT42	220,230, 240/50,60	Europe etc.	B303-27	H3901000426

Model: Bellini LCT		Date: 05-Apr-01	No.: MB303014
Modified Article: Paper Feed Unit		Prepared by: M. Matsuda	
From: Technical Services Dept., GTS Division			
Reason for Modification:	<input type="checkbox"/> Parts catalog correction <input type="checkbox"/> To facilitate assembly <input type="checkbox"/> Part standardization	<input type="checkbox"/> Vendor change <input type="checkbox"/> To improve reliability <input checked="" type="checkbox"/> Other	<input type="checkbox"/> To meet standards ()

Old part number	New part number	Description	Q'ty	Int	Page	Index	Note
B3032552B	B3032541	Feed Stay	1	X/O	19	14	*1
A2296306	B3036306	Reverse Drive Shaft	1	X/O	19	7	*1
AA082046	07413706	Ball Bearing – 6x10x3	1	X/O	19	10	*1

*1: These parts should be replaced as a set.

When the feed roller contacts the separation roller, the resulting vibration is transmitted to the Reverse Drive Shaft bushing area, causing noise. To prevent this noise, the AA082046 bushing has been replaced with a Ball Bearing (07413706).

To accommodate the new bearing, the length of the Reverse Drive Shaft has been slightly increased and the shape of the bearing area of the Feed Stay has been changed.

Please be sure to replace all 3 parts as a set, as there is very little visual difference between the old and new shafts and stays.

RCL (Japan) Production

MODEL NAME	V/Hz	DESTINATION	CODE	SERIAL NO.
Lanier RT42	240/60	USA, Canada, S. America	B303-14	L0680110001
Savin RT42 Gestetner RT42 Ricoh RT42	240/60	USA, Canada, South America	B303-17	H3901000172
Lanier RT42	220,230, 240/50,60	Europe	B303-24	L0680110016
Infotec RT42	220,230 240/50,60	Europe, etc.	B303-26	4B31100001
Gestener RT42 Nashuatec RT42 Rex Rotary RT42 Ricoh RT42	220,230, 240/50,60	Europe etc.	B303-27	H3901100477

Reissued: 25-May-01

Model: Bellini LCT	Date: 22-Dec-00	No.: MB303009a
--------------------	-----------------	----------------

MB Correction

The items in bold italics have been corrected or added.
The illustration has added as shown below.

Modified Article: Transport Guide Plate		Prepared by: M. Matsuda	
From: Technical Services Dept., GTS Division			
Reason for Modification:	<input type="checkbox"/> Parts catalog correction	<input type="checkbox"/> Vendor change	<input type="checkbox"/> To meet standards ()
	<input type="checkbox"/> To facilitate assembly	<input checked="" type="checkbox"/> To improve reliability	
	<input type="checkbox"/> Part standardization	<input type="checkbox"/> Other	

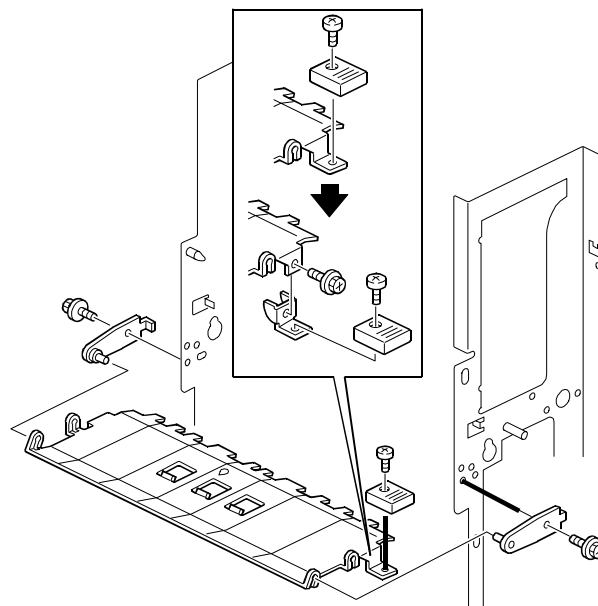
Old part number	New part number	Description	Q'ty	Int	Page	Index	Note
B3033635	B3033686	Guide Plate	1	X/O	23	14	*1
B3033698	B3033699	Guide Plate	1	X/O	23	1	-
	B3033637	Lever	1	-	23	*24	*1
	08025282	Tapping Screw – M4x8	1	-	23	*105	*1

*24, *105 New Index

Sometimes slack develops in the B3033698 guide plate, which can then contact the transport roller and wear down its surface. To ensure that this does not occur:

1. The shape of the B3033698 guide plate has been changed.
2. The shape of the B3033635 guide plate has also been changed. In addition, the lever which was previously part of this plate has been attached as an individual part, strengthening this area. A tapping screw has been added for attachment.

*1: These parts should be replaced as a set.



Reissued: 25-May-01

Model: Bellini LCT	Date: 22-Dec-00	No.: MB303009a
--------------------	-----------------	----------------

RCL (Japan) Production

MODEL NAME	V/Hz	DESTINATION	CODE	SERIAL NO.
Lanier RT42	240/60	USA, Canada, S. America	B303-14	L0680110001
Savin RT42 Gestetner RT42 Ricoh RT42	240/60	USA, Canada. South America	B303-17	H3901000122
Lanier RT42	220,230, 240/50,60	Europe	B303-24	L0680110016
Infotec RT42	220,230 240/50,60	Europe, etc.	B303-26	4B31100001
Gestener RT42 Nashuatec RT42 Rex Rotary RT42 Ricoh RT42	220,230, 240/50,60	Europe etc.	B303-27	H3901100477

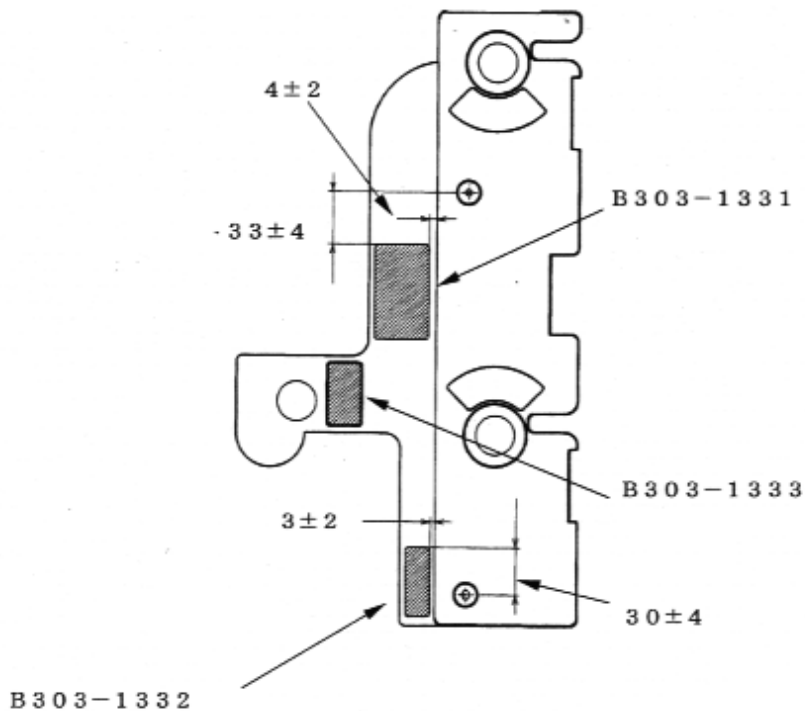
Model: Bellini LCT		Date: 08-Aug-01	No.: MB303015
Modified Article: Decal		Prepared by: M. Matsuda	
From: Technical Services Dept., GTS Division			
Reason for Modification:	<input type="checkbox"/> Parts catalog correction <input type="checkbox"/> To facilitate assembly <input type="checkbox"/> Part standardization	<input type="checkbox"/> Vendor change <input type="checkbox"/> To improve reliability <input checked="" type="checkbox"/> Other	<input type="checkbox"/> To meet standards ()

To make sure that customers turn the jam removal levers in the correct direction, the following decals have been added.

Old part number	New part number	Description	Q'ty	Int	Page	Index	Note
B3031321	B3031333	Decal - U7	1	-	31 37	2 16	*1
	B3031331	Decal Misfeed U1	1	-	31	27	*1,2
	B3031332	Decal Misfeed U3	1	-	31	28	*1,2

*1: All three decals should be replaced together.

*2: Index #27, 28 are new.



Model: Bellini LCT

Date: 08-Aug-01

No.: MB303015

RCL (Japan) Production

MODEL NAME	V/Hz	DESTINATION	CODE	SERIAL NO.
Lanier RT42	240/60	USA, Canada, S. America	B303-14	L0680110001
Savin RT42 Gestetner RT42 Ricoh RT42	240/60	USA, Canada. South America	B303-17	H3901000157
Lanier RT42	220,230, 240/50,60	Europe	B303-24	L0680110016
Infotec RT42	220,230 240/50,60	Europe, etc.	B303-26	4B31100001
Gestener RT42 Nashuatec RT42 Rex Rotary RT42 Ricoh RT42	220,230, 240/50,60	Europe etc.	B303-27	H3901100477

Model: Bellini LCT		Date: 09-Aug-01	No.: MB303016
Modified Article: Grounding Plate		Prepared by: M. Matsuda	
From: Technical Services Dept., GTS Division			
Reason for Modification:	<input type="checkbox"/> Parts catalog correction <input type="checkbox"/> To facilitate assembly <input type="checkbox"/> Part standardization	<input type="checkbox"/> Vendor change <input type="checkbox"/> To improve reliability <input checked="" type="checkbox"/> Other	<input type="checkbox"/> To meet standards ()

The shape of the Grounding Plate has been changed to further ensure the proper safety during machine servicing.

Old part number	New part number	Description	Q'ty	Int	Page	Index	Note
B3031113	B3031116	Grounding Plate	2	X/O	33	4	

RCL (Japan) Production

MODEL NAME	V/Hz	DESTINATION	CODE	SERIAL NO.
Lanier RT42	240/60	USA, Canada, S. America	B303-14	L0681010001
Savin RT42 Gestetner RT42 Ricoh RT42	240/60	USA, Canada, South America	B303-17	H3901200544
Lanier RT42	220,230, 240/50,60	Europe	B303-24	L0681010041
Infotec RT42	220,230 240/50,60	Europe, etc.	B303-26	4B30110001
Gestener RT42 Nashuatec RT42 Rex Rotary RT42 Ricoh RT42	220,230, 240/50,60	Europe etc.	B303-27	H3910100249

Model: Bellini LCT		Date: 13-Sep-01	No.: MB303017
Modified Article: Sensor Bracket		Prepared by: M.Matsuda	
From: Technical Services Dept., GTS Division			
Reason for Modification:	<input type="checkbox"/> Parts catalog correction <input type="checkbox"/> To facilitate assembly <input type="checkbox"/> Part standardization	<input type="checkbox"/> Vendor change <input checked="" type="checkbox"/> To improve reliability <input type="checkbox"/> Other	<input type="checkbox"/> To meet standards ()

The shape of the Sensor Bracket has been changed to further improve paper transport reliability.

Old part number	New part number	Description	Q'ty	Int	Page	Index	Note
B3032577	B3032677	Sensor Bracket	1	X/O	17	9	

[RCL (Japan) Production]

MODEL NAME	V/Hz	DESTINATION	CODE	SERIAL NO.
Lanier RT42	240/60	USA, Canada, S. America	B303-14	L0681030001
Savin RT42 Gestetner RT42 Ricoh RT42	240/60	USA, Canada, South America	B303-17	H3910200001
Lanier RT42	220,230, 240/50,60	Europe	B303-24	L0681030031
Infotec RT42	220,230 240/50,60	Europe, etc.	B303-26	4B30310001
Gestener RT42 Nashuatec RT42 Rex Rotary RT42 Ricoh RT42	220,230, 240/50,60	Europe etc.	B303-27	H3910300466

Model: Bellini LCT		Date: 24-May-02	No.: MB303018
Modified Article: Upper Cover		Prepared by: S.Orita	
From: Technical Services sec. Service Planning Dept.			
Reason for Modification:	<input type="checkbox"/> Parts catalog correction	<input type="checkbox"/> Vendor change	<input type="checkbox"/> To meet standards ()
	<input type="checkbox"/> To facilitate assembly	<input type="checkbox"/> To improve reliability	
	<input checked="" type="checkbox"/> Part standardization	<input type="checkbox"/> Other	

The following has been changed due to parts standardization with the next LCT model:

Old part number	New part number	Description	Q'ty	Int	Page	Index	Note
B3031370	B3031378	Upper Cover	1	O/O	7	6	

Reissued: 19-Dec-02

Model: Bellini LCT	Date: 24-May-02	No.: MB303019a
--------------------	-----------------	----------------

MB Correction

The items in bold italics have been corrected or added.

Modified Article: Front Side Plate, etc.,		Prepared by: M. Matsuda	
From: Technical Services sec. Service Planning Dept.			
Reason for Modification:	<input type="checkbox"/> Parts catalog correction	<input type="checkbox"/> Vendor change	<input type="checkbox"/> To meet standards ()
	<input type="checkbox"/> To facilitate assembly	<input type="checkbox"/> To improve reliability	
	<input checked="" type="checkbox"/> Part standardization	<input type="checkbox"/> Other	

The following have been changed due to parts standardization with the next LCT model:

Old part number	New part number	Description	Q'ty	Int	Page	Index	Note
B3031070	B5111070	Front Side Plate	1	O/O	33	18	
B3031075	B5111075	Support Stay	1	O/O	33	3	
B3031080	B5111080	Rear Side Plate	1	O/O	33	17	
B3031085	B5111085	Support Stay	1	O/O	33	9	
B3031086	B5111086	Support Stay	1	O/O	29	4	
B3031112	B5111112	Support Stay	1	O/O	33	5	
B3031114	B5111114	Support Stay	1	O/O	33	6	
B3031132	B5111132	Arm Lock Bracket	1	O/O	31	11	
B3031134	B5111134	Arm Lock Bracket	1	O/O	31	17	
B3031136	B5111136	Rail Bracket	1	O/O	31	16	
B3031137	B5111137	Support Stay	1	O/O	31	14	
B3031147	B5111147	Support Stay	1	O/O	33	1	
B3031171	B5111171	Interlock Switch Bracket	1	O/O	31	22	
B3031172	B5111172	Door Switch Actuator	1	O/O	31	19	
B3031351	B5111351	Upper Hinge	1	O/O	31	26	
B3031355	B5111355	Lower Hinge	1	O/O	31	13	
B3031581	B5111581	Tension Bracket	1	O/O	29 27	15 14	
B3032530	B5112530	Feed Guide Plate	1	O/O	17	1	
B3032558	B5112558	Reverse DC Solenoid	1	O/O	19	19	
B3032560	B5112560	Reverse Solenoid Bracket	1	O/O	19	20	
B3032578	B5112578	Pick-up DC Solenoid	1	O/O	17	10	
B3032591	B5112591	Feed Clutch Arm	1	O/O	19	12	
B3032631	B5112631	Fixing Plate	1	O/O	31	25	
B3032677	B5112677	Sensor Bracket	1	O/O	17	9	
B3032721	B5112721	Front Guide Plate	1	O/O	13	4	
B3032722	B5112722	Upper Cover	1	O/O	13	9	
B3032725	B5112725	Fixing Plate	1	O/O	11 15	19 22	
B3032726	B5112726	Fixing Plate	1	O/O	15 11	6 18	
B3032727	B5112727	Sensor Bracket	1	O/O	13	12	
B3032732	B5112732	Paper Tray Shaft Bracket	1	O/O	15 11	1 3	
B3032736	B5112736	Side Plate Bracket	1	O/O	15	16	
B3032737	B5112737	Weight Plate	1	O/O	11 15	4 4	
B3032742	B5112742	Bracket	1	O/O	15 11	6 5	

Reissued: 19-Dec-02

Model: Bellini LCT	Date: 24-May-02	No.: MB303019a
--------------------	-----------------	----------------

Old part number	New part number	Description	Q'ty	Int	Page	Index	Note
B3032747	B5112747	Paper Actuator	1	O/O	15 11	19 15	
B3032752	B5112752	Bracket	1	O/O	11 15	14 18	
B3032761	B5112761	Tightener Bracket	1	O/O	15	8	
B3032783	B5112783	Guide Fence Bracket	1	O/O	13 9	17 18	
B3032792	B5112792	Oil Dumper Bracket	1	O/O	15	25	
B3032821	B5112821	Front Guide Plate	1	O/O	9	5	
B3032822	B5112822	Upper Cover	1	O/O	9	20	
B3032886	B5112886	Sensor Bracket	1	O/O	9	12	
B3032888	B5112888	Paper Size Lever	1	O/O	9	9	
B3032897	B5112897	Paper Size Actuator	1	O/O	9	10	
B3033637	B5113637	Lever	1	O/O	23	24	
B3033670	B5113670	Hinge Bracket	1	O/O	23	9	
B3033680	B5113680	Linkage Bracket	1	O/O	27	9	
B3033691	B5113691	Guide Plate	1	O/O	21	1	
B3033694	B5113694	Guide Plate	1	O/O	25	10	
B3033696	B5113696	Guide Plate	1	O/O	23	10	
B3033750	B5113750	Support Stay	1	O/O	21	5	
B3033760	B5113760	Support Stay	1	O/O	23	21	
B3033830	B5113830	Upper Support Stay	1	O/O	21 25	9 14	
B3033901	B5113901	Air Block Plate	1	O/O	23	19	
B3032775	B5112775	Rear Side Fence	1	O/O	13	6	

Model: Bellini LCT		Date: 28-May-02	No.: MB303020
Modified Article: Transport Drive Roller, etc.,		Prepared by: S.Orita	
From: Technical Services sec. Service Planning Dept.			
Reason for Modification:	<input type="checkbox"/> Parts catalog correction	<input type="checkbox"/> Vendor change	<input type="checkbox"/> To meet standards ()
	<input type="checkbox"/> To facilitate assembly	<input type="checkbox"/> To improve reliability	
	<input checked="" type="checkbox"/> Part standardization	<input type="checkbox"/> Other	

The following parts have been changed due to parts standardization with the next LCT model.

Old part number	New part number	Description	Q'ty	Int	Page	Index	Note
AF020485	AF020573	Transport Drive Roller	1	O/O	17	16	
AA043907	AA043950	Timing Belt - S3M810	1	O/O	27	7	
AA043908	AA043951	Timing Belt - S3M1299	1	O/O	27	1	
AA043911	AA043952	Timing Belt - S3M420	1	O/O	27	17	
AW010049	AW010098	Photo Reflection Sensor	1	O/O	17 23	6 6	
B3031555	B5111555	Main Motor Bracket	1	O/O	29	14	
B3033676	B5113676	Exit Sensor Cover	1	O/O	23	4	
B3033850	B5113850	Rear Side Plate	1	O/O	25	13	
B3032576	B5112576	Sensor Bracket	1	O/O	17	7	
B3032610	B5112610	Rear Side Plate	1	O/O	19	9	
B3033825	B5113825	Front Side Plate	1	O/O	25	11	
B3032541	B5112541	Feed Stay	1	O/O	19	14	
B3032600	B5112600	Front Side Plate	1	O/O	19	8	